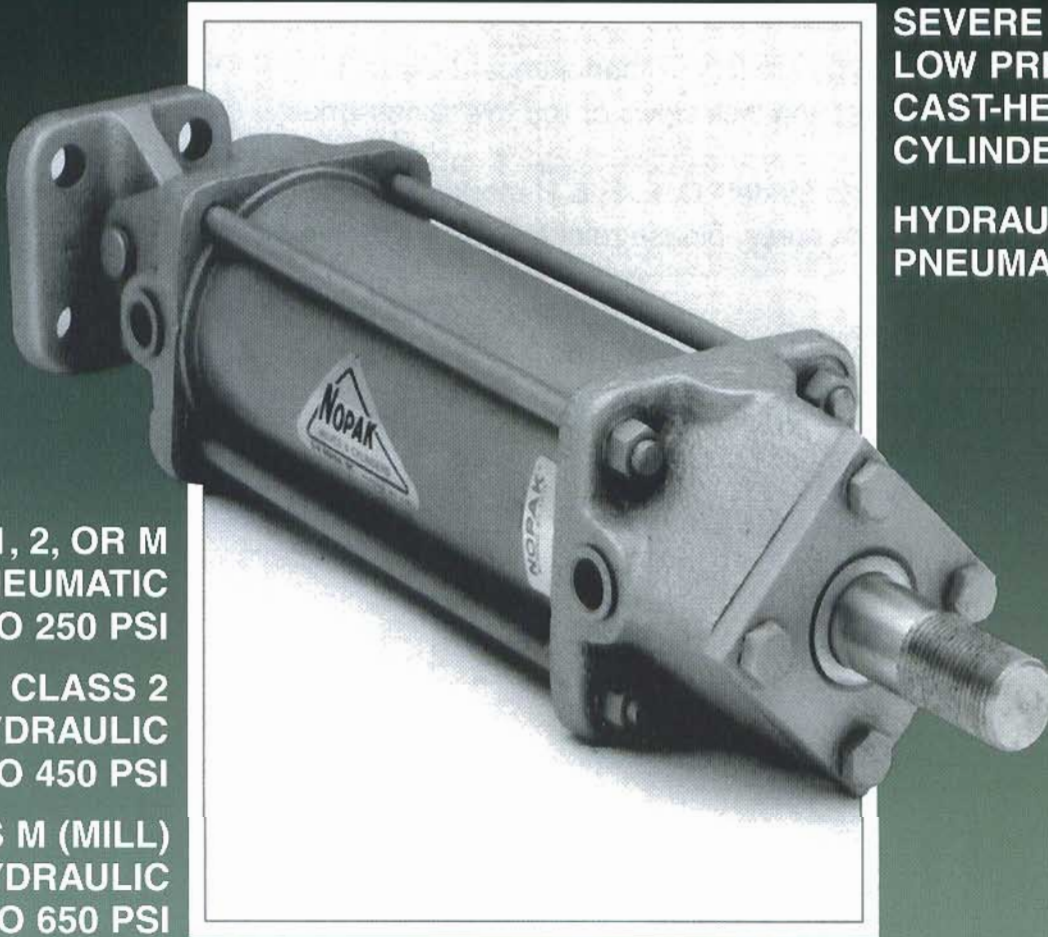


# NOPAK<sup>®</sup>

CATALOG 101 - SVR



SEVERE SERVICE  
LOW PRESSURE  
CAST-HEAD  
CYLINDERS

HYDRAULIC &  
PNEUMATIC

CLASS 1, 2, OR M  
PNEUMATIC  
TO 250 PSI

CLASS 2  
HYDRAULIC  
TO 450 PSI

CLASS M (MILL)  
HYDRAULIC  
TO 650 PSI

**GALLAND HENNING NOPAK, Inc.**

1025 South 40th Street ■ West Milwaukee, Wisconsin 53215  
P.O. Box 34917 ■ West Milwaukee, Wisconsin 53234  
PHONE: 414-645-6000 ■ FAX: 414-645-6048  
www.NOPAK.com ■ Email: sales@nopak.com

# NOPAK SEVERE SERVICE CYLINDERS

Brochure 101 SVR is a supplement to NOPAK Catalog 101, highlighting features of NOPAK cylinders designed for SEVERE SERVICE APPLICATIONS.

- Piston rod packing box is designed for double bearings and oversize rods with bolt-on steel plate packing retainers.
- Easily adjustable rod seals are a multiple stack split V-packing available in fabric-reinforced nitrile or fabric-reinforced Viton.
- Larger diameter piston rod (beyond the oversize OB rod).
- Piston rod thread lengths are longer than standard Class 1, 2, or M to incorporate a hex jam nut (employed to adjust and lock clevis or rod eye accessories).

Note: This catalog applies to Models C, E, F, & H mountings only. For double rod bearing features in 10, 12, and 14 inch bores, please refer to Nopak Catalog 101.

**TABLE OF DIMENSIONS – MODEL C**

BORE	A	ROD DIA.	OB-1		C	D	E	F	G	H	I	J-1	J-2	K	L	M	N	T
			SB-1															
3.00	8.625	1.00	1.00-14	2.375	5.250	4.875	.531	.750	.375	.625	.750	.750	2.125	(4)	2.125	.625	.500	.688
	9.125	1.25	1.25-12	2.875														
4.00	10.000	1.25	1.25-12	2.875	7.750	6.750	.531	.875	.500	.625	1.000	.750	2.625	(4)	2.625	.625	.688	.875
	10.625	1.50	1.50-12	3.500														
5.00	10.125	1.25	1.25-12	2.875	7.750	7.250	.531	.875	.500	.750	1.000	.875	2.625	(6)	2.625	.625	.688	.875
	10.750	1.50	1.50-12	3.500														
6.00	11.688	1.50	1.50-12	3.500	9.000	8.375	.531	1.125	.750	.750	1.000	.875	3.250	(6)	3.000	.625	.875	1.000
	11.813	1.75	1.75-12	3.625														
8.00	15.125	2.00	2.00-12	4.500	10.750	10.875	.781	-	1.000	.875	1.125	1.250	4.250	(6)	-	.875	1.063	1.188
	15.250	2.25	2.25-12	4.625														

**TABLE OF DIMENSIONS – MODEL E**

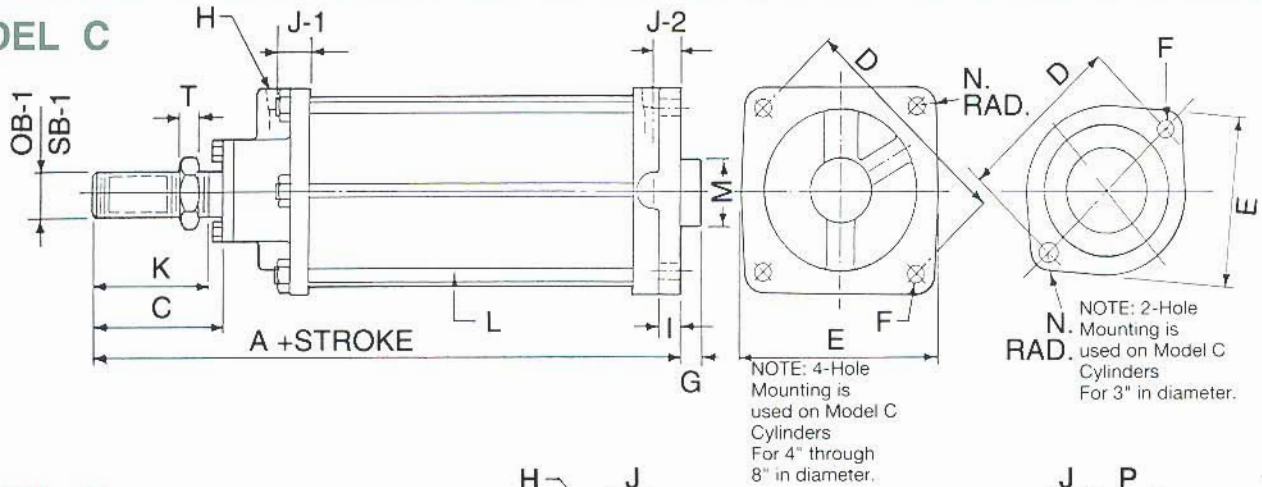
BORE	A	ROD DIA.	OB-1		C	D	E	F	G	H	I	J	K	L	M	P	Q	T
			SB-1															
3.00	10.187	1.00	1.00-14	2.375	.625	3.750	.500	.500	.375	.500	.750	.750	2.125	(4)	1.750	2.312	5.375	.500
	10.688	1.25	1.25-12	2.875														
4.00	11.875	1.25	1.25-12	2.875	.875	4.875	.750	.750	.500	.750	1.000	1.000	2.625	(4)	2.000	2.625	6.250	.688
	12.500	1.50	1.50-12	3.500														
5.00	12.000	1.25	1.25-12	2.875	.875	6.375	.750	.750	.500	.750	1.000	1.000	2.625	(6)	2.000	2.750	6.250	.688
	12.625	1.50	1.50-12	3.500														
6.00	14.063	1.50	1.50-12	3.500	1.125	7.250	.875	1.000	.750	1.000	1.000	1.000	3.250	(6)	2.625	3.375	7.063	.875
	14.187	1.75	1.75-12	3.625														
8.00	16.500	2.00	2.00-12	4.500	1.250	9.625	1.000	1.000	1.000	1.000	1.125	1.125	4.250	(6)	3.500	2.625	9.250	1.063
	16.625	2.25	2.25-12	4.625														

**TABLE OF DIMENSIONS – MODEL F – MODEL H**

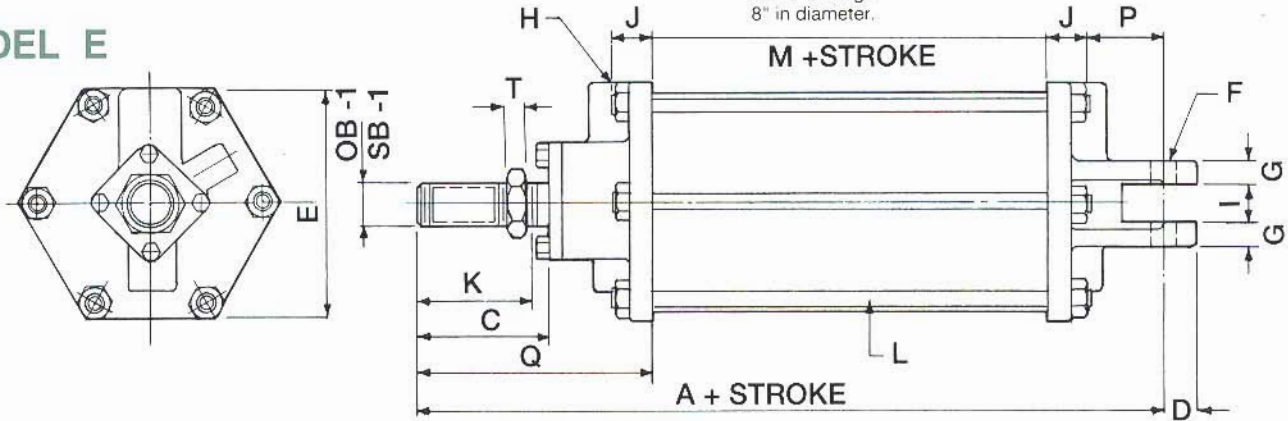
BORE	A	ROD DIA.	OB-1		C	D	E	F	G	H	I	J	K	L	M	N	O	T
			SB-1															
3.00	9.375	1.00	1.00-14	2.375	.750	3.875	1.125	6.500	.375	6.000	.750	.750	2.125	(4)	1.750	3.063	.625	.500
	9.875	1.25	1.25-12	2.875														
4.00	10.875	1.25	1.25-12	2.875	1.000	4.875	1.250	7.750	.500	7.000	1.000	1.000	2.625	(4)	2.000	3.500	.750	.688
	11.500	1.50	1.50-12	3.500														
5.00	11.000	1.25	1.25-12	2.875	1.000	6.875	1.250	9.000	.500	7.000	1.000	1.000	2.625	(6)	2.000	4.250	.750	.688
	11.625	1.50	1.50-12	3.500														
6.00	12.812	1.50	1.50-12	3.500	1.000	8.375	1.250	11.000	.750	7.813	1.000	1.000	3.250	(6)	2.625	4.875	.750	.875
	12.938	1.75	1.75-12	3.625														
8.00	15.000	2.00	2.00-12	4.500	1.500	10.875	1.250	12.750	1.000	10.250	1.125	1.125	4.250	(6)	3.500	6.375	1.000	1.063
	15.125	2.25	2.25-12	4.625														

# NOPAK SEVERE SERVICE CYLINDERS

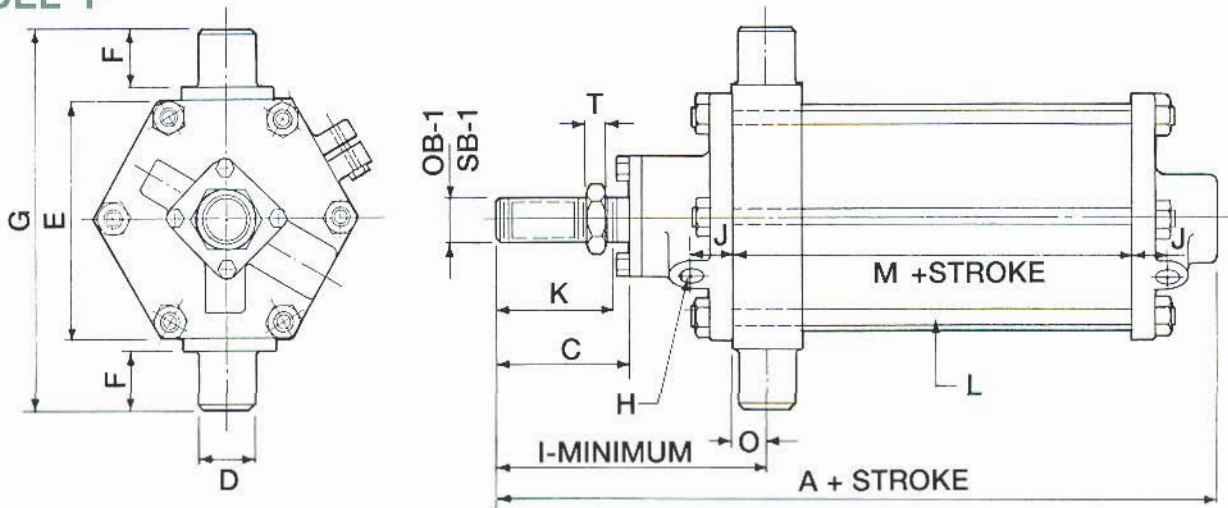
## MODEL C



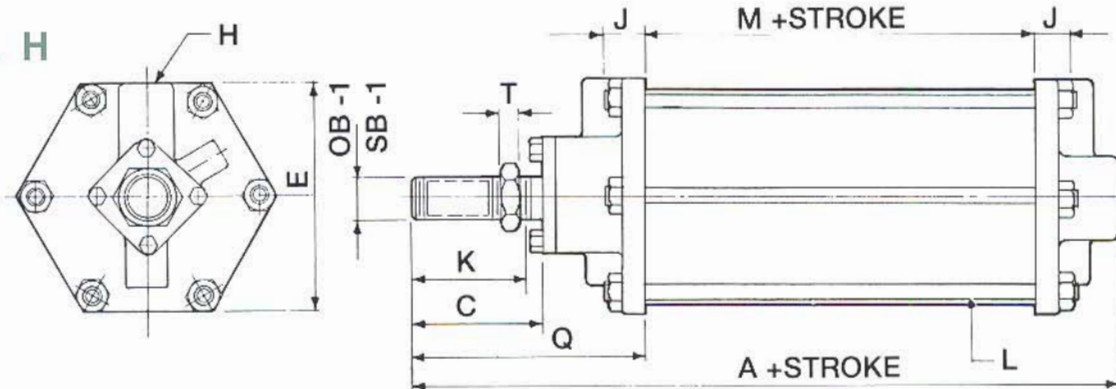
## MODEL E



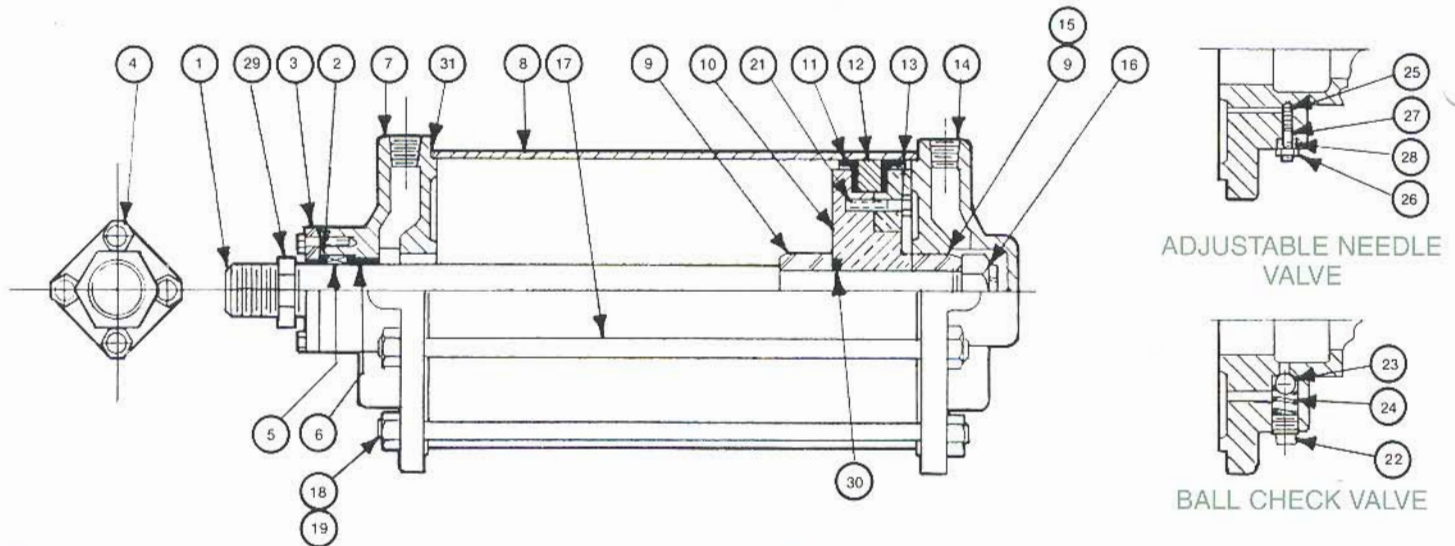
## MODEL F



## MODEL H



# NOPAK SEVERE SERVICE CYLINDER PARTS LIST



## Parts List

- |  |  |
|--|--|
| <ul style="list-style-type: none"> <li>1. Piston Rod</li> <li>2. Packing Gland</li> <li>3. Gland Ring</li> <li>4. Gland Ring Screws</li> <li>5. V-Ring Packing</li> <li>6. Piston Rod Bushing</li> <li>7. Rod End Cylinder Head</li> <li>8. Cylinder Tube</li> <li>9. Cushion Sleeve</li> <li>10. Piston Follower</li> <li>11. Piston Cups</li> <li>12. Piston</li> <li>13. Follower Ring 5-6-8" Dia.</li> <li>14. Blank End Cylinder Head</li> <li>*15. Lock Sleeve 8" Dia.</li> <li>16. Piston Lock Nut 3-4-5-6" Dia.</li> </ul> | <ul style="list-style-type: none"> <li>17. Tie Rods</li> <li>18. Tie Rod Nuts</li> <li>19. Lock Washers</li> <li>* 20. Set-Screw 8" Dia.</li> <li>21. Piston Cap Screws</li> <li>22. Ball Check Plug</li> <li>23. Ball Check Ball</li> <li>24. Ball Check Spring</li> <li>25. Needle Valve</li> <li>26. Needle Valve Lock Nut</li> <li>27. Needle Valve Packing</li> <li>28. Needle Valve Gland Ring</li> <li>29. Hex Jam Nut</li> <li>30. O-Ring 6-8" Dia.</li> <li>31. Gasket</li> </ul> |
|--|--|

\* To Be Replaced in Pairs

## Parts Order Information

When using this parts list for replacements, be sure to:

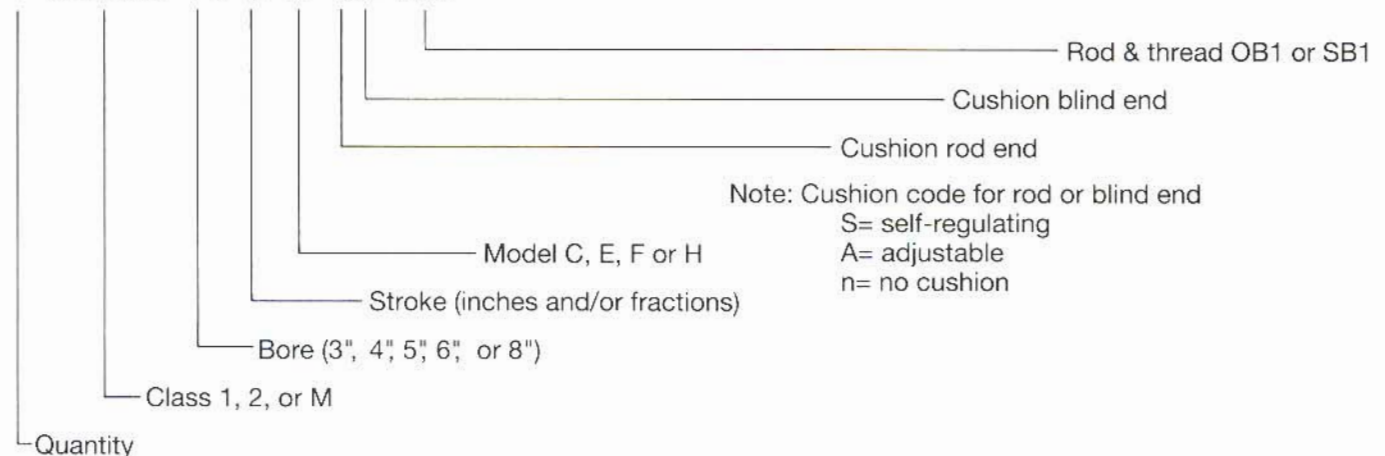
1. Identify part by name and item number
2. Diameter of cylinder
3. Model of cylinder
4. Serial number on NOPAK cylinder label

### EXAMPLE:

#### ORDERING CODE:

**PHONE: 414-645-6000 • FAX: 414-645-6048**

**1 - CL1/SVR - 4 X 16 - E - S A - SB1**



Note: Cushion code for rod or blind end  
 S= self-regulating  
 A= adjustable  
 n= no cushion