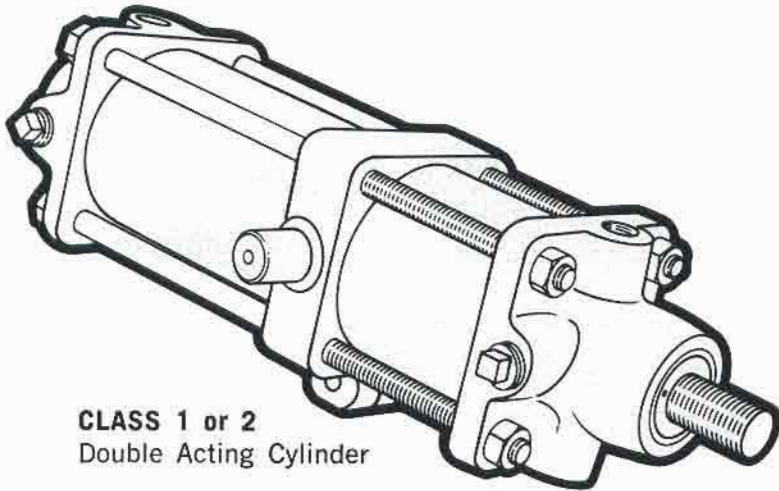


# N O P A K

## M O D E L F

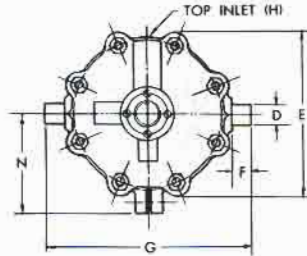
Model F available without trunnion — designated as Model H.



**CLASS 1 or 2**  
Double Acting Cylinder

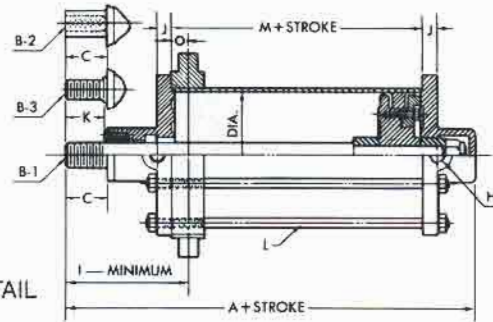
### TRUNNION MOUNTING

The Model F Trunnion Mounting provides smooth, dependable cylinder power where oscillating movement is necessary in connection with heavy side thrust. Trunnion location is indicated by dimension "I," which is minimum and furnished as shown unless otherwise specified; may be increased within limits of cylinder tubing length.



End view illustrates 8 tie rod spacing incorporated in the 10", 12" and 14" bore sizes. See dimension L.

1½" thru 4" bore sizes use 4 tie rods, 5" thru 8" bore sizes use 6 evenly spaced tie rods with the inlet located at the one o'clock position. The trunnion clamp is located opposite the inlet.



FOR FURTHER DETAIL  
SEE PAGE 14.

**TABLE OF DIMENSIONS — MODEL F — CLASS 1 or 2**

Bore	A	Rod* Dia.	B-1*	B-2*	B-3*	C	D	E	F	G	H	I†	J	K	L	M	N	O
1½	6⅞	⅝	⅝-18	½-20	⅜-24	1⅞	⅝	2¾	⅝	4	¼	3¾	⅝	⅞	4-⅝	1⅞	2⅞	½
2	6½	⅝	⅝-18	½-20	½-20	1⅞	⅝	3	¾	4⅝	¼	3¾	⅝	⅞	4-⅝	1⅞	2⅞	½
2½	7⅞	¾	¾-16	½-20	½-20	1⅞	¾	3½	1	5¾	⅝	4¾	⅝	1⅞	4-⅝	1¾	2⅞	⅝
3	8⅞	¾	¾-16	½-20	⅝-18	1⅞	¾	3⅞	1⅞	6½	⅝	4¾	¾	1⅞	4-⅝	1¾	3⅞	⅝
4	9¾	1	1-14	⅝-18	¾-16	1¾	1	4⅞	1¼	7¾	½	5⅞	1	1½	4-½	2	3½	¾
5	9⅞	1	1-14	⅝-18	¾-16	1¾	1	6⅞	1¼	9	½	5⅞	1	1½	6-½	2	4¼	¾
6	11½	1¼	1¼-12	¾-16	1-14	2⅞	1	8⅞	1¼	11	¾	6½	1	1⅞	6-½	2⅞	4⅞	¾
8	12½	1¾	1¾-12	1-14	1½-12	2½	1½	10⅞	1¼	12¼	1	7¾	1⅞	2¼	6-⅝	3½	6⅞	1
10	16	2	2-12	1¼-12	1½-12	3¼	1½	12⅞	1½	16¼	1¼	9½	1⅞	3	8-¾	3⅞	7⅞	1¼
12	19½	2½	2½-12	1½-12	2-12	4	2	15⅞	2	20¼	1½	11⅞	1⅞	3¾	8-⅝	3¼	9½	1⅞
14	20⅞	2¾	2¾-12	1¾-12	2½-12	4	2½	18¼	2½	23½	2	11⅞	2	3¾	8-⅞	3¼	12¼	1½

\*A ¼" oversize rod (OB), standard in the 8" bore size, can be furnished using standard head castings. Rod end extension and related dimensions will therefore vary accordingly. See table below. Dimensions shown in this catalog may be altered without notice.

†Dimension "I" will be furnished as shown unless otherwise specified. When ordering, please specify "I" dimension.

FOR 16" DIAMETER, AND LARGER  
REFER TO CATALOG No. 106