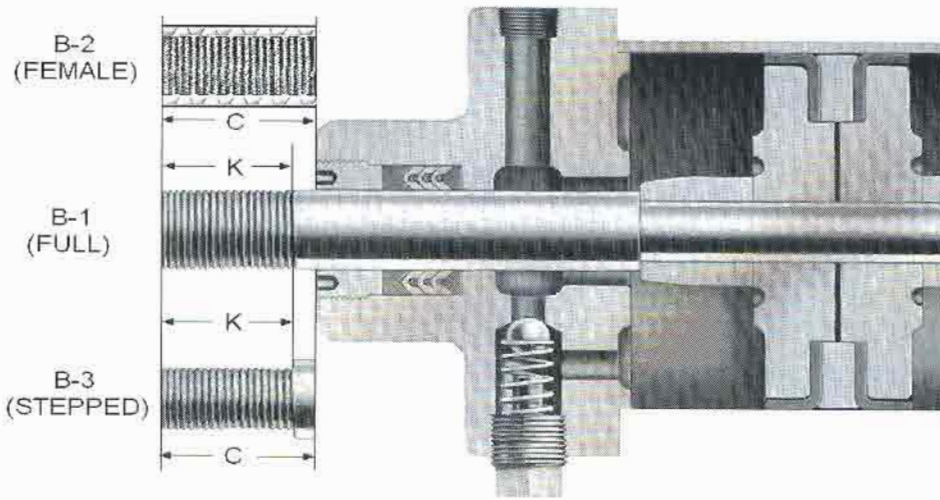


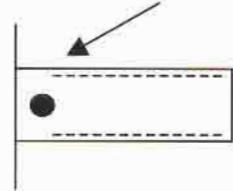
ROD END DETAIL

PISTON ROD & THREAD INFORMATION:



NEW:

Drift pinhole to prevent rod rotation when attaching rod end accessories.



Dim. C = Distance from gland face to rod end.
Dim. K = Thread length, male or female.

PISTON ROD BOOTS

For All Classes of NOPAK Cylinders

These protective sleeves are recommended for cylinders used where there's exposure to chips, grit, dust and other abrasive materials. The expanding sleeve covers the cylinder piston-rod at all times, thereby preventing foreign matter from entering the cylinder mechanism through the cylinder head.

NOPAK Cylinders can be equipped with these sleeves at nominal cost. In asking for quotation give full specifications of cylinder. NOTE: It is important that piston rod extension (Dimension C) be longer than standard to accommodate boot in collapsed position. This dimension varies with stroke and is available upon request.

