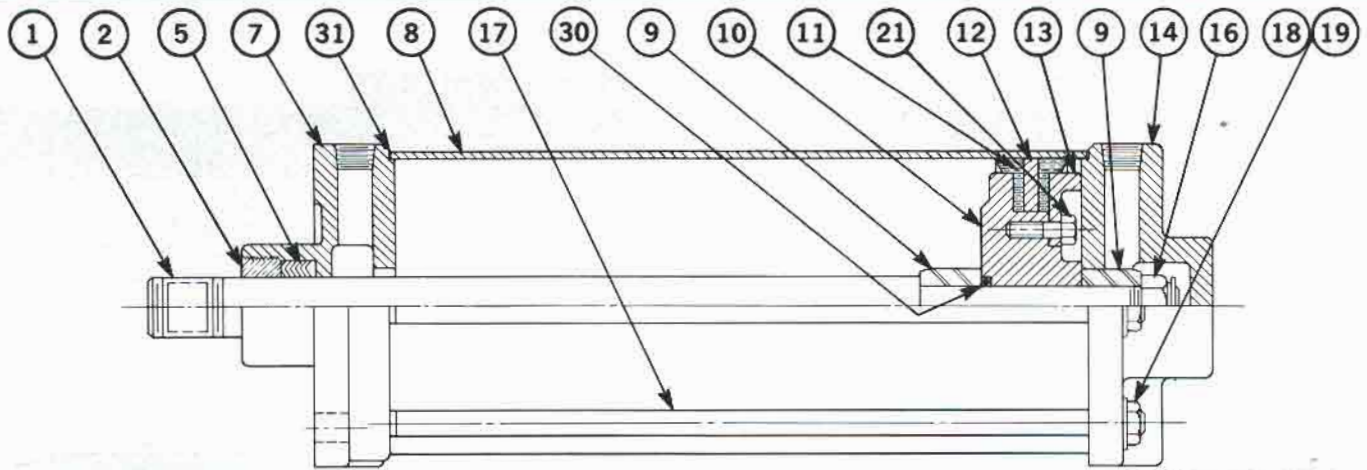


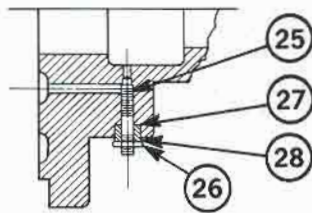


CAST HEAD CYLINDER PARTS LIST

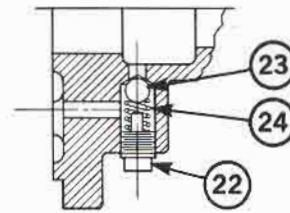


1½" THRU 6" DIAMETER CYLINDER
ROD SEAL ASSEMBLY

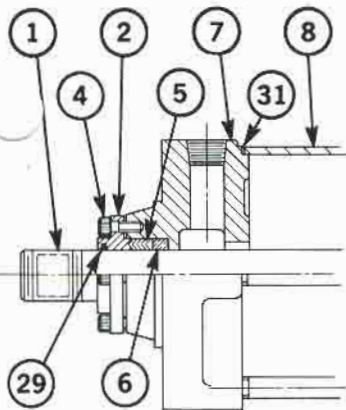
6" DIAMETER CYLINDER
PISTON ASSEMBLY



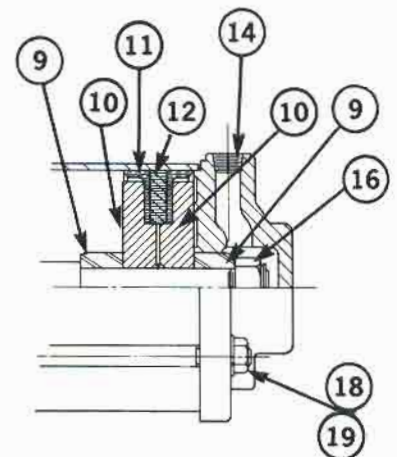
ADJUSTABLE NEEDLE VALVE



BALL CHECK VALVE



8" DIAMETER CYLINDER
ROD SEAL ASSEMBLY



1½" THRU 5" DIAMETER CYLINDER
PISTON ASSEMBLY

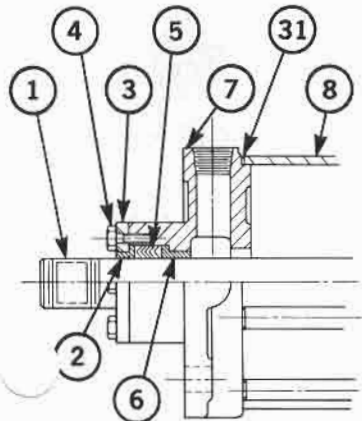
PARTS ORDER INFORMATION

When using this parts list for replacements, be sure to:

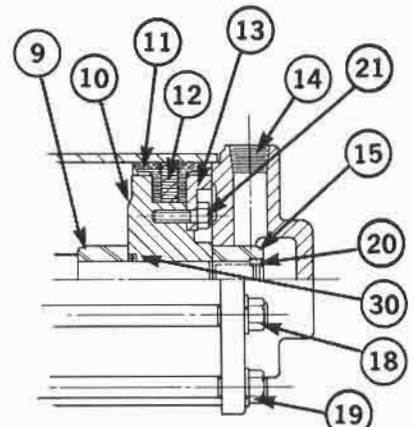
1. Identify part by name and item number;
2. Diameter of cylinder;
3. Model of cylinder;
4. Serial number on NOPAK cylinder label.

Parts List

- | | |
|-----------------------------|-----------------------------|
| 1. Piston Rod | 17. Tie Rods |
| 2. Packing Gland | 18. Tie Rod Nuts |
| 3. Gland Ring | 19. Lock Washers |
| 4. Gland Ring Screws | 20. Set-Screw |
| 5. V-Ring Packing | 21. Piston Cap Screws |
| 6. Piston Rod Bushing | 22. Ball Check Plug |
| 7. Rod End Cylinder Head | 23. Ball Check Ball |
| 8. Cylinder Tube | 24. Ball Check Spring |
| 9. Cushion Sleeve | 25. Needle Valve |
| 10. Piston Follower | 26. Needle Valve Lock Nut |
| 11. Piston Cups | 27. Needle Valve Packing |
| 12. Piston | 28. Needle Valve Gland Ring |
| 13. Follower Ring | 29. Wiper |
| 14. Blank End Cylinder Head | 30. O-Ring |
| 15. Lock Sleeve | 31. Gasket |
| 16. Piston Lock Nut | |



10" THRU 14" DIAMETER CYLINDER
ROD SEAL ASSEMBLY



8" THRU 14" DIAMETER CYLINDER
PISTON ASSEMBLY