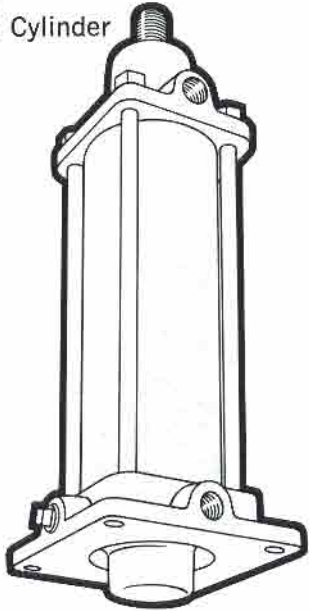


N O P A K

M O D E L C

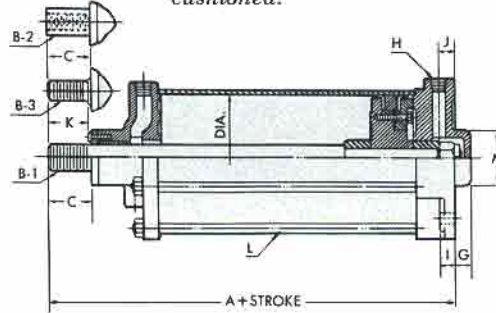
CLASS 1 or 2
Double Acting Cylinder



RIGHT ANGLE FLAT BASE MOUNTING – BLANK END

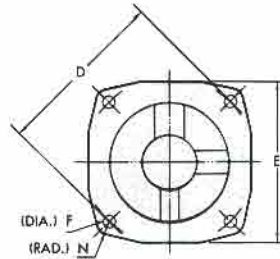
Model C may be mounted on any flat base with provision for protruding cushion boss*. It is used in applications of upward pushing power; also for cantilever action when mounted at right angles to a wall or other vertical surface.

*Flush mounting available at extra charge on blank end, if not cushioned.



FOR FURTHER DETAIL
SEE PAGE 14.

NOTE: 2-Hole Mounting is used on Model C Cylinders from 1½" to 3" in diameter.



NOTE: 4-Hole Mounting is used on Model C Cylinders from 4" thru 14" in diameter.

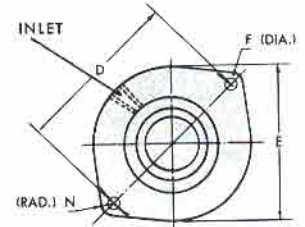


TABLE OF DIMENSIONS – MODEL C – CLASS 1 or 2

Bore	A	Rod* Dia.	B-1*	B-2*	B-3*	C	D	E†	F	G	H	I	J	K	L	M†	N
1½	5¼	¾	¾-18	½-20	¾-24	1⅞	3¼	3¾	1⅜	⅜	¼	½	½	⅞	4-⅝	1½	½
2	5⅝	¾	¾-18	½-20	½-20	1⅞	3¼	3¾	1⅜	5⅞	¼	⅝	⅝	⅞	4-⅝	1¾	½
2½	7¼	¾	¾-16	½-20	½-20	1⅞	4¾	4½	1⅜	⅝	⅜	⅝	¾	1⅞	4-⅝	1⅞	⅝
3	7⅝	¾	¾-16	½-20	¾-18	1⅞	5¼	4⅞	1⅜	¾	⅝	⅝	¾	1⅞	4-⅝	2⅞	⅝
4	8⅞	1	1-14	¾-18	¾-16	1¾	7¼	6¾	1⅜	⅞	½	⅝	¾	1½	4-½	2⅝	⅝
5	8⅞	1	1-14	¾-18	¾-16	1¾	7¼	7¼	1⅜	7⅞	½	¾	⅞	1½	6-½	2⅝	⅝
6	10½	1¼	1¼-12	¾-16	1-14	2⅞	9	8⅞	1⅜	1⅞	¾	¾	⅞	1⅞	6-½	3	⅝
8	12⅝	1¾	1¾-12	1-14	1½-12	2½	10¾	10⅞	2⅜	—	1	7⅞	1¼	2¼	6-⅝	—	⅝
10	14¾	2	2-12	1¼-12	1½-12	3¼	13¼	12½	2⅜	2	1¼	1⅞	1⅞	3	8-¾	4½	1
12	17⅞	2½	2½-12	1½-12	2-12	4	17½	16	1⅞	2½	1½	1½	1⅞	3¾	8-⅞	5½	1¼
14	18⅞	2¾	2¾-12	1¾-12	2½-12	4	20	18¾	1⅞	2¼	2	1¾	2	3¾	8-⅞	5⅞	1½

*A ¼" oversize rod (OB), standard in the 8" bore size, can be furnished using standard head castings. Rod end extension and related dimensions will therefore vary accordingly. See table, page 11. Dimensions shown in this catalog may be altered without notice.

FOR 16" DIAMETER, AND LARGER,
REFER TO CATALOG NO. 106.

†These are rough dimensions and should not be used for locating purposes. Allow approx. ¼" for clearance. Can be machined at extra charge if specified.