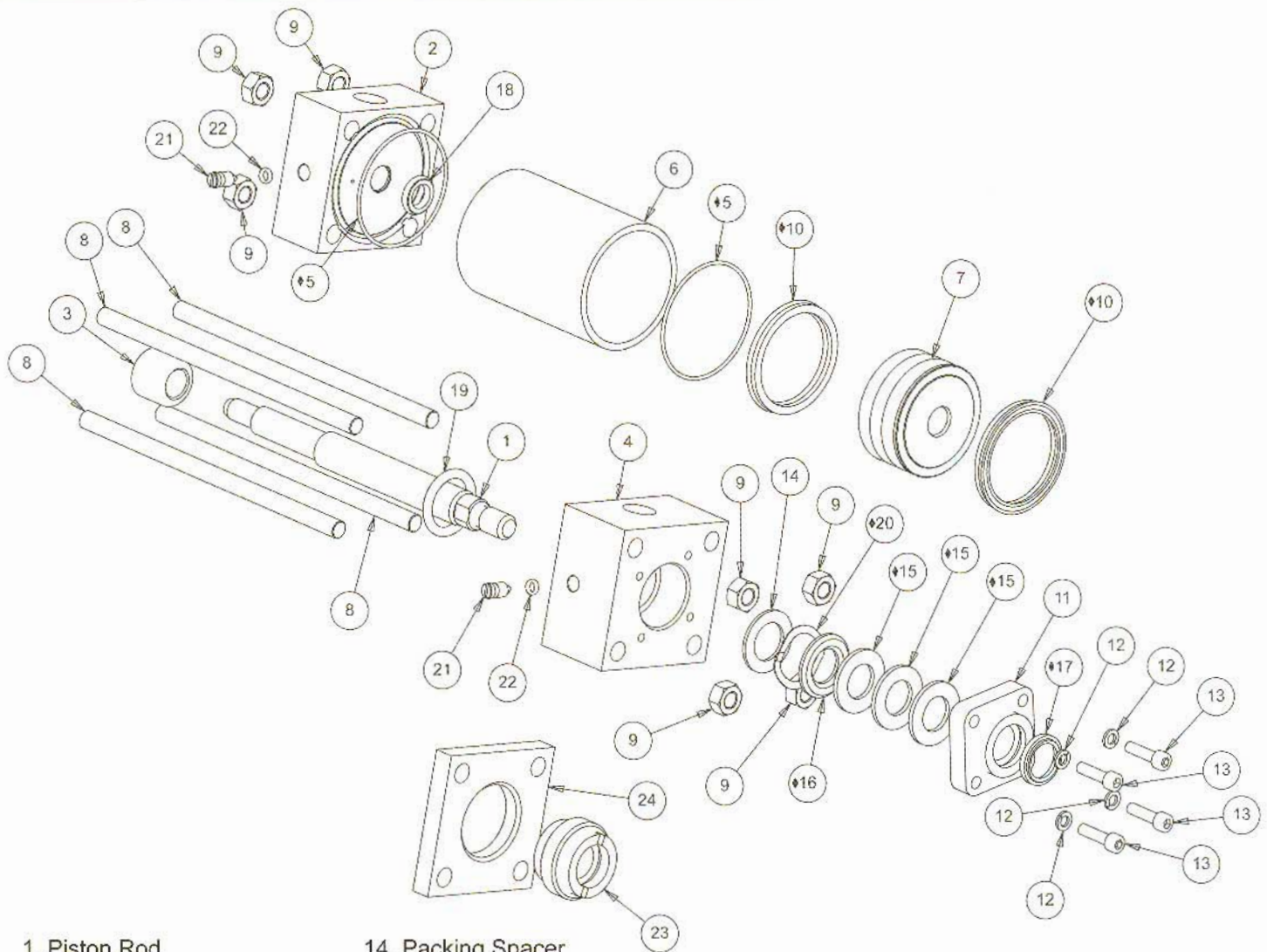


PNEU-PAK™ REPLACEMENT PARTS



- | | |
|-----------------------------|------------------------------|
| 1. Piston Rod | 14. Packing Spacer |
| 2. Blind End Head | 15. Rod Packing♦ |
| 3. Cushion Sleeve – Rod End | 16. Bottom Adapter Ring♦ |
| 4. Rod End Head | 17. Rod Wiper♦ |
| 5. Tube O-ring♦ | 18. Cushion Seal – Blind End |
| 6. Tube | 19. Cushion Seal – Rod End |
| 7. Piston | 20. Wave Spring ♦ |
| 8. Tie Rod | 21. Cushion Adjust Screw |
| 9. Tie Rod Nut | 22. Adjust Screw O-ring |
| 10. Piston Seal♦ | |
| 11. Packing Gland | |
| 12. Lock Washer | |
| 13. Packing Gland Screws | |
| | If Applicable: |
| | 23. Threaded Gland |
| | 24. Head Plate |

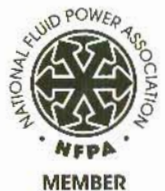
♦ Items are included in seal repair kits

NOTE: 3.25" – 6.00" Bore have a piston O-ring♦ and a set screw.

Use locking compound on all piston threads.

When ordering replacement parts, be sure to specify:

- Part by name and item number.
- Bore, stroke and mounting.
- Serial numbers shown on Nopak label.



GALLAND HENNING NOPAK, Inc.

©GALLAND HENNING NOPAK, INC.
CATALOG 112 03/08 3K Printed in U.S.A

1025 South 40th Street ■ West Milwaukee, Wisconsin 53215
PHONE: 414-645-6000 ■ FAX: 414-645-6048
www.nopak.com ■ Email: sales@nopak.com