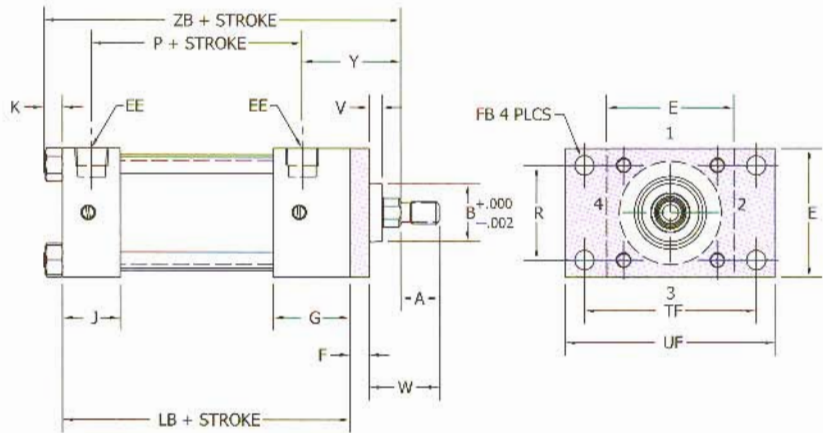
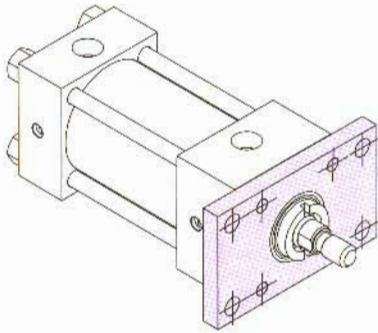


PNEU-PAK™ FLANGE MOUNT CYLINDERS

MODEL D (NFPA MF1)



MODEL C (NFPA MF2)

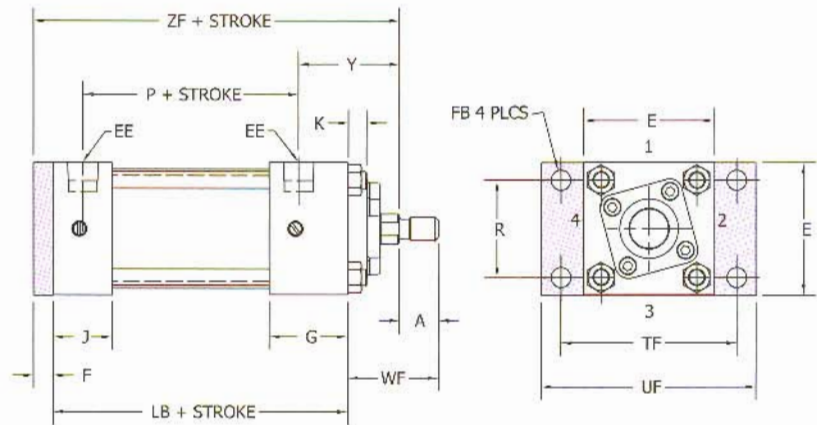
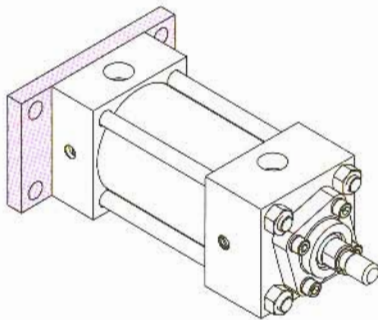


TABLE 1

The dimensions given on this table are constant regardless of rod diameter or stroke.

BORE	E	F (D-C)	G	J	K	R	EE	FB (D-C)	TF (D-C)	UF (D-C)
1.50	2.00	0.38	1.50	1.13	0.25	1.43	0.38	0.25	2.75	3.38
2.00	2.50	0.38	1.50	1.13	0.38	1.84	0.38	0.31	3.38	4.13
2.50	3.00	0.38	1.50	1.13	0.38	2.19	0.38	0.31	3.88	4.63
3.25	3.75	0.63	1.75	1.25	0.44	2.76	0.50	0.38	4.69	5.50
4.00	4.50	0.63	1.75	1.25	0.44	3.32	0.50	0.38	5.44	6.25
5.00	5.50	0.63	1.75	1.25	0.50	4.10	0.50	0.50	6.63	7.63
6.00	6.50	0.75	2.00	1.50	0.56	4.88	0.75	0.50	7.63	8.63

TABLE 2

The dimensions given on this table are affected by the piston rod diameter and the stroke.

BORE	*ROD MM	A	B	P	V	W	Y	LB	WF	ZB	ZF
1.50	0.63	0.75	1.13	2.13	0.25	0.63	1.94	3.63	1.00	4.88	5.00
2.00	0.63	0.75	1.13	2.13	0.25	0.63	1.94	3.63	1.00	5.00	5.00
2.50	0.63	0.75	1.13	2.25	0.25	0.63	1.94	3.75	1.00	5.13	5.13
3.25	1.00	1.13	1.50	2.50	0.25	0.75	2.50	4.25	1.38	6.06	6.25
4.00	1.00	1.13	1.50	2.50	0.25	0.75	2.50	4.25	1.38	6.06	6.25
5.00	1.00	1.13	1.50	2.75	0.25	0.75	2.50	4.50	1.38	6.38	6.50
6.00	1.38	1.63	2.00	3.13	0.25	0.88	2.81	5.00	1.63	7.19	7.38