

MODEL S (NFPA MS4)

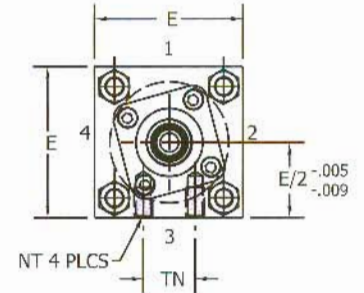
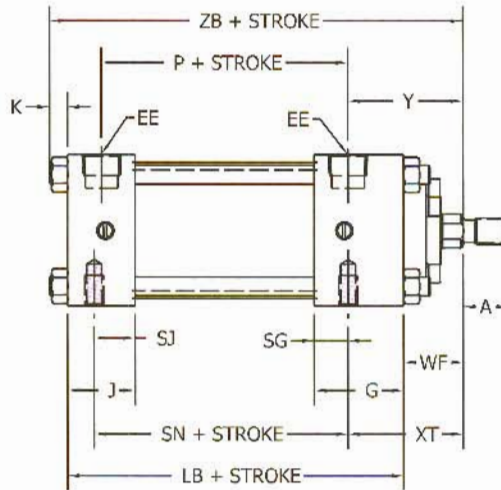
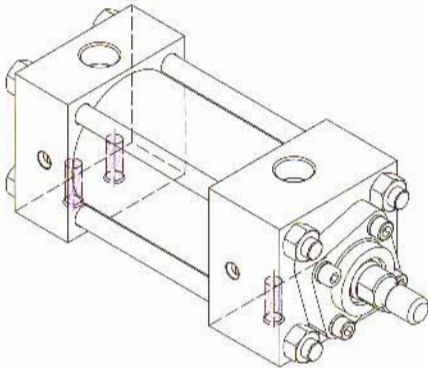


TABLE 1

The dimensions given on this table are constant regardless of rod diameter or stroke.

BORE	E	G	J	K	EE	SG	SJ	TN	NT
1.50	2.00	1.50	1.13	0.25	0.38	0.56	0.69	0.63	1/4-20
2.00	2.50	1.50	1.13	0.38	0.38	0.56	0.69	0.88	5/16-18
2.50	3.00	1.50	1.13	0.38	0.38	0.56	0.69	1.25	3/8-16
3.25	3.75	1.75	1.25	0.44	0.50	0.69	0.69	1.50	1/2-13
4.00	4.50	1.75	1.25	0.44	0.50	0.69	0.69	2.06	1/2-13
5.00	5.50	1.75	1.25	0.50	0.50	0.69	0.69	2.69	5/8-11
6.00	6.50	2.00	1.50	0.56	0.75	0.81	0.81	3.25	3/4-10

TABLE 2

The dimensions given on this table are affected by the piston rod diameter and the stroke.

BORE	*ROD MM	A	P	Y	LB	WF	SN	XT	ZB
1.50	0.63	0.75	2.13	1.94	3.63	1.00	2.25	1.94	4.88
2.00	0.63	0.75	2.13	1.94	3.63	1.00	2.25	1.94	5.00
2.50	0.63	0.75	2.25	1.94	3.75	1.00	2.38	1.94	5.13
3.25	1.00	1.13	2.50	2.50	4.25	1.38	2.63	2.44	6.06
4.00	1.00	1.13	2.50	2.50	4.25	1.38	2.63	2.44	6.06
5.00	1.00	1.13	2.75	2.50	4.50	1.38	2.88	2.44	6.38
6.00	1.38	1.63	3.13	2.81	5.00	1.63	3.13	2.81	7.19