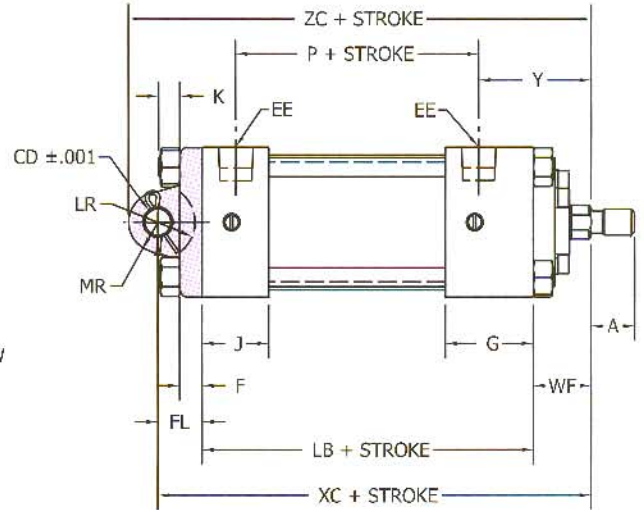
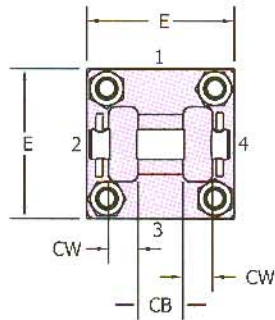
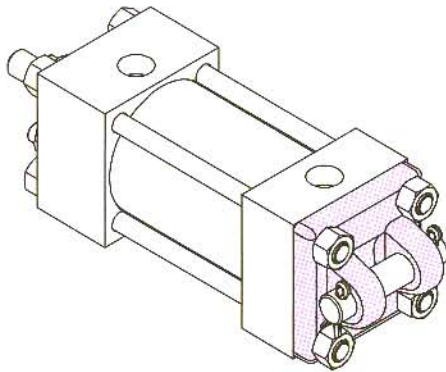
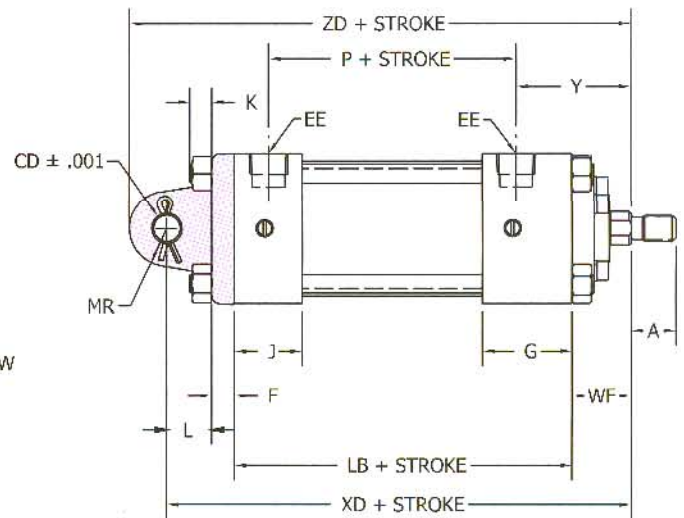
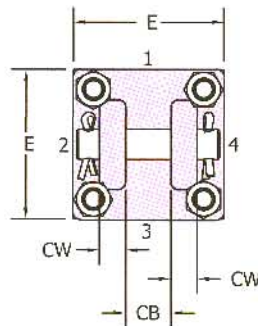
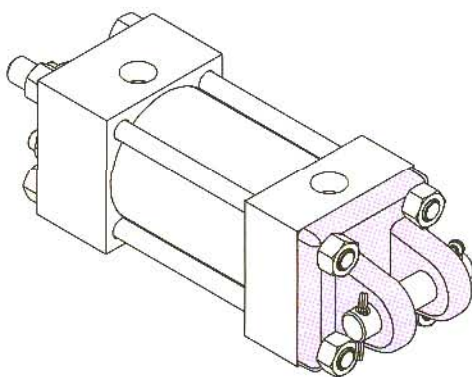


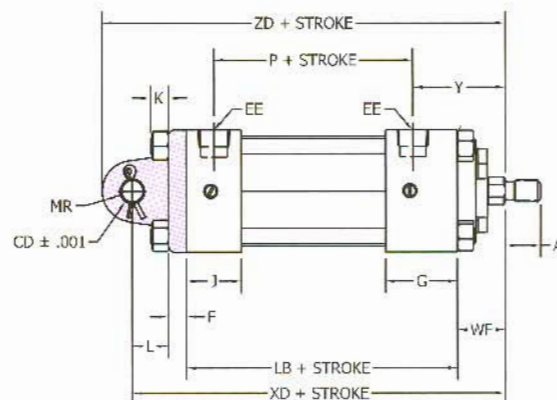
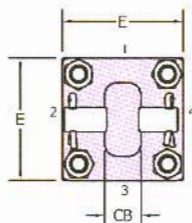
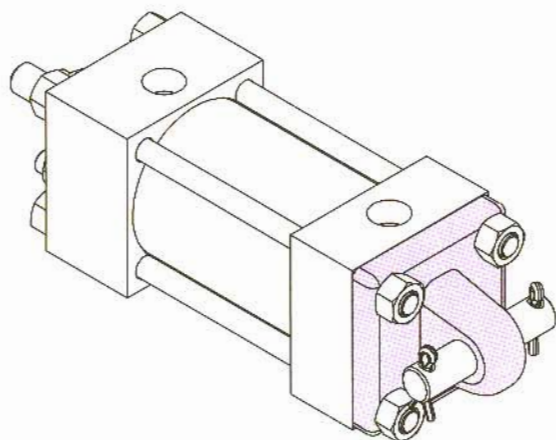
## MODEL E1 (NFPA MP1)



## MODEL E2 (NFPA MP2)



## MODEL E4 (NFPA MP4)



**TABLE 1**

The dimensions given on this table are constant regardless of rod diameter or stroke.

BORE	E	F	G	J	K	FL (E1)	L (E2 E4)	CB	CD	CW	EE	LR (E1)	MR (E1)	MR (E2 E4)
1.50	2.00	0.38	1.50	1.13	0.25	0.75	0.75	0.75	0.50	0.50	0.38	0.63	0.50	0.63
2.00	2.50	0.38	1.50	1.13	0.38	0.75	0.75	0.75	0.50	0.50	0.38	0.63	0.50	0.63
2.50	3.00	0.38	1.50	1.13	0.38	0.75	0.75	0.75	0.50	0.50	0.38	0.63	0.50	0.63
3.25	3.75	0.63	1.75	1.25	0.44	1.25	1.25	1.25	0.75	0.63	0.50	0.88	0.75	0.88
4.00	4.50	0.63	1.75	1.25	0.44	1.25	1.25	1.25	0.75	0.63	0.50	0.88	0.75	0.88
5.00	5.50	0.63	1.75	1.25	0.50	1.25	1.25	1.25	0.75	0.63	0.50	0.88	0.75	0.88
6.00	6.50	0.75	2.00	1.50	0.56	1.50	1.50	1.50	1.00	0.75	0.75	1.13	1.13	1.13

**TABLE 2**

The dimensions given on this table are affected by the piston rod diameter and the stroke.

BORE	*ROD MM	A	P	Y	LB	WF	XC (E1)	XD (E2 E4)	ZC (E1)	ZD (E2 E4)
1.50	0.63	0.75	2.13	1.94	3.63	1.00	5.38	5.75	5.88	6.38
2.00	0.63	0.75	2.13	1.94	3.63	1.00	5.38	5.75	5.88	6.38
2.50	0.63	0.75	2.25	1.94	3.75	1.00	5.50	5.88	6.00	6.50
3.25	1.00	1.13	2.50	2.50	4.25	1.38	6.88	7.50	7.63	8.38
4.00	1.00	1.13	2.50	2.50	4.25	1.38	6.88	7.50	7.63	8.38
5.00	1.00	1.13	2.75	2.50	4.50	1.38	7.13	7.75	7.88	8.63
6.00	1.38	1.63	3.13	2.81	5.00	1.63	8.13	8.88	9.25	10.00