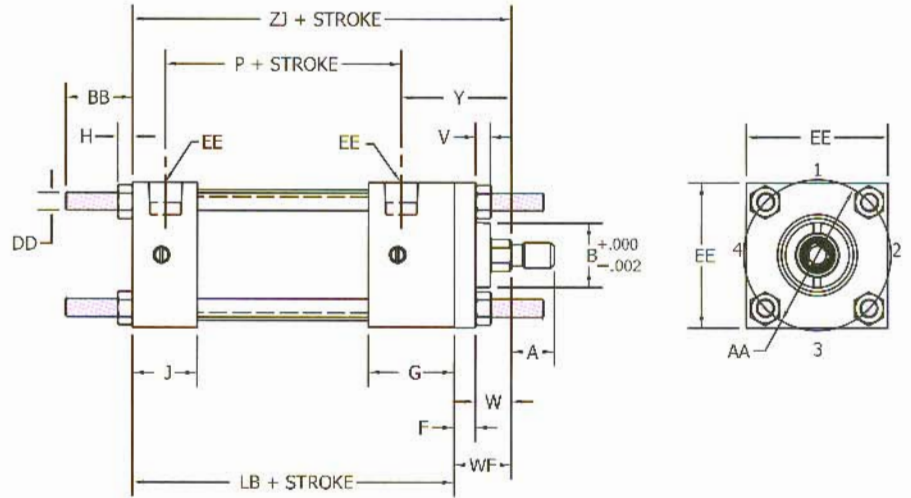
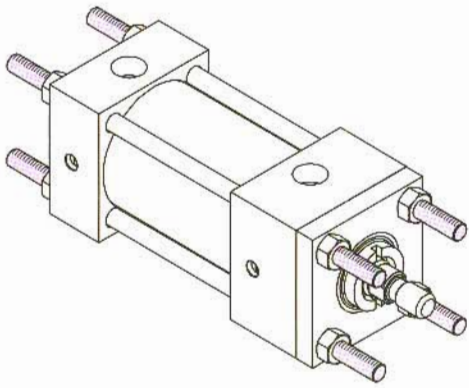
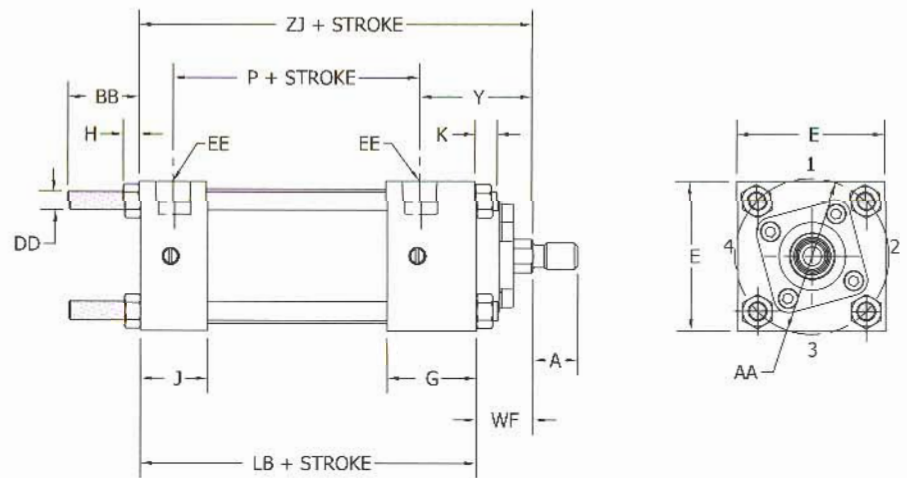
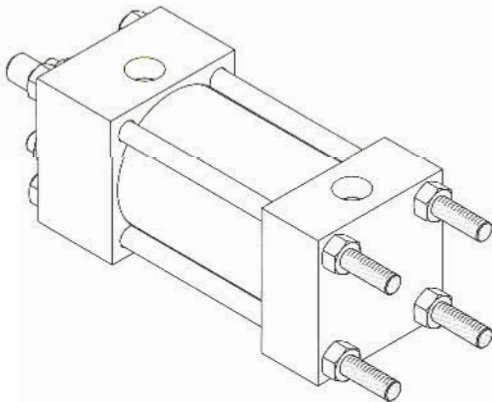


PNEU-PAK™ TIE-ROD MOUNT CYLINDERS

MODEL T (NFPA MX1)



MODEL TB (NFPA MX2)



PNEU-PAK™ TIE-ROD MOUNT CYLINDERS

MODEL TR (NFPA MX3)

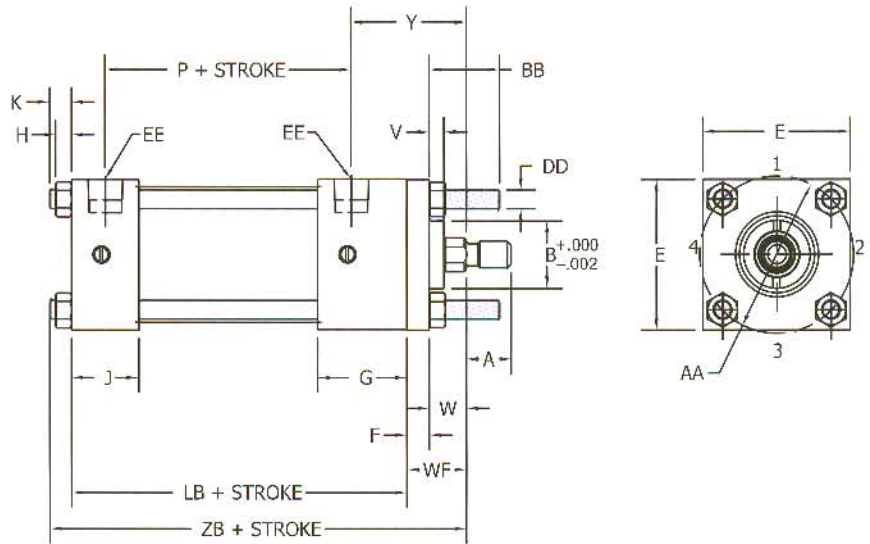
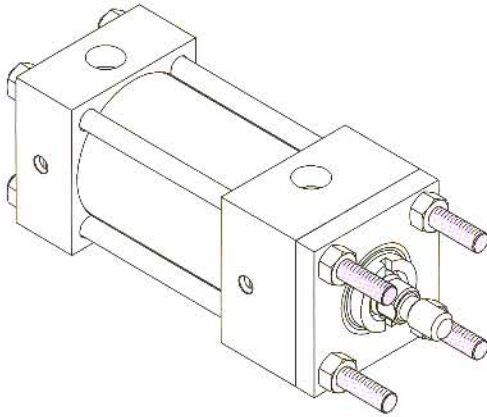


TABLE 1

The dimensions given on this table are constant regardless of rod diameter or stroke.

BORE	E	F (T TR)	G	J	H	K	AA	BB	DD	EE
1.50	2.00	0.38	1.50	1.13	0.22	0.25	2.02	0.88	1/4-28	0.38
2.00	2.50	0.38	1.50	1.13	0.28	0.38	2.60	1.19	5/16-24	0.38
2.50	3.00	0.38	1.50	1.13	0.28	0.38	3.10	1.13	5/16-24	0.38
3.25	3.75	0.63	1.75	1.25	0.38	0.44	4.00	1.38	3/8-24	0.50
4.00	4.50	0.63	1.75	1.25	0.38	0.44	4.75	1.38	3/8-24	0.50
5.00	5.50	0.63	1.75	1.25	0.44	0.50	5.80	1.75	1/2-20	0.50
6.00	6.50	0.75	2.00	1.50	0.50	0.56	6.90	1.75	1/2-20	0.75

TABLE 2

The dimensions given on this table are affected by the piston rod diameter and the stroke.

BORE	*ROD MM	A	B	P	V	W	Y	LB	WF	ZB	ZJ (T TB)
1.50	0.63	0.75	1.13	2.13	0.25	0.63	1.94	3.63	1.00	4.88	4.63
2.00	0.63	0.75	1.13	2.13	0.25	0.63	1.94	3.63	1.00	5.00	4.63
2.50	0.63	0.75	1.13	2.25	0.25	0.63	1.94	3.75	1.00	5.13	4.75
3.25	1.00	1.13	1.50	2.50	0.25	0.75	2.50	4.25	1.38	6.06	5.63
4.00	1.00	1.13	1.50	2.50	0.25	0.75	2.50	4.25	1.38	6.06	5.63
5.00	1.00	1.13	1.50	2.75	0.25	0.75	2.50	4.50	1.38	6.38	5.88
6.00	1.38	1.63	2.00	3.13	0.25	0.88	2.81	5.00	1.63	7.19	6.63