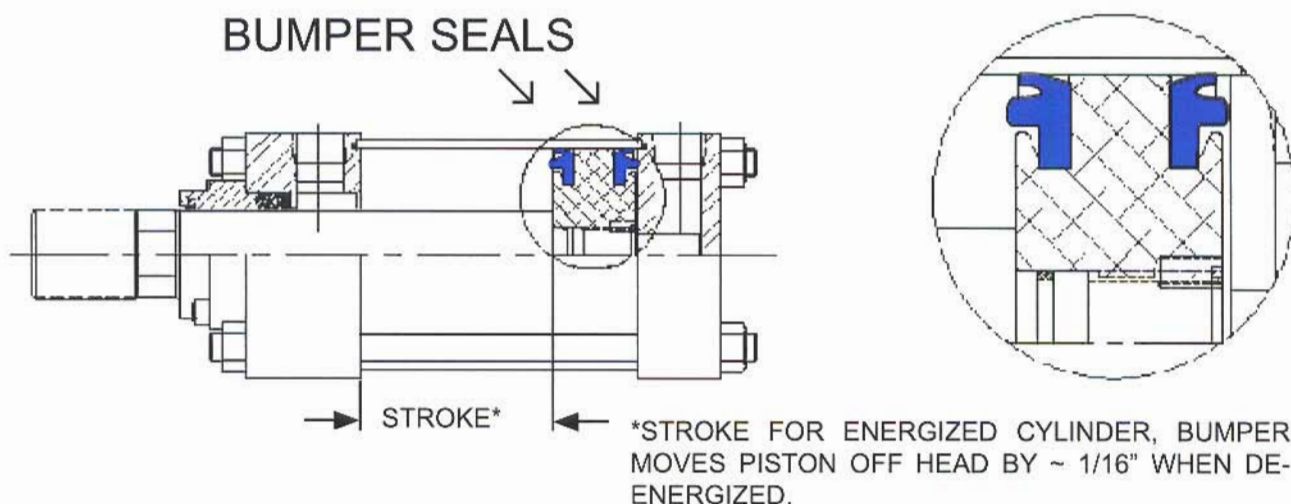


NOPAK[®]

LOW-SHOCK

P6 AIR CYLINDER WITH INTEGRAL BUMPERS

(FEATURE AVAILABLE IN
1.50" THROUGH 5.00" BORE)



- DAMPENS CONTACT AT END OF STROKE
- REDUCES NOISE
- REDUCES SHOCK TO THE MACHINE AND TO THE CYLINDER

RELATED OPTIONS AVAILABLE:

- STANDARD CYLINDER CUSHIONS
- CENTER GROOVE WITH REED SWITCH MAGNET

CONTACT INFORMATION:

PHONE: 414-645-6000 ◆ FAX: 414-645-6048
EMAIL: SALES@NOPAK.COM

MAY 2004