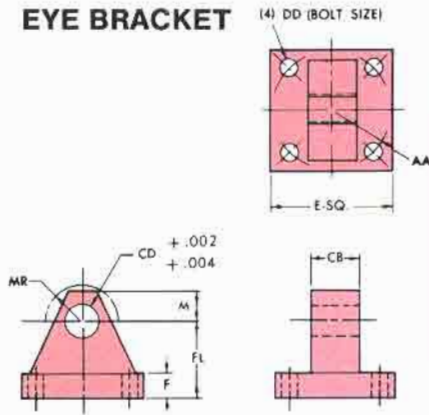


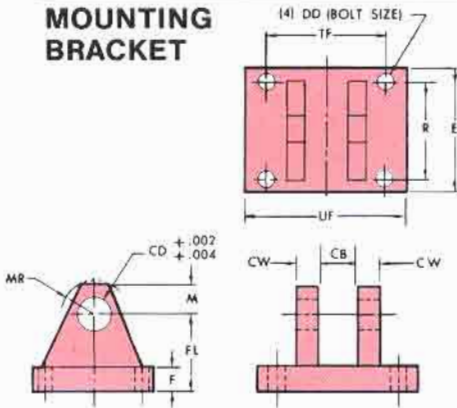
CYLINDER ACCESSORIES

EYE BRACKET



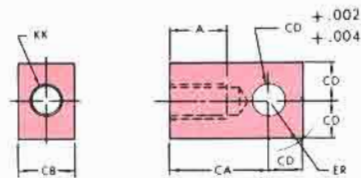
CYL. DIA.	E	F	M	AA	CB	CD	DD	FL	MR	(FORMER) PART NO.	(PRESENT) PART NO.
1½-2-2½	2½	¾	½	2.30	¾	½	¾	1½	¾	A-12008CY	2716 L47
3¼-4-5	3½	¾	¾	3.61	1¼	¾	½	1½	¾	A-26139CY	2719 L32
6-8	4½	¾	1	4.60	1½	1	¾	2½	1¼	A-26140CY	2720 L33
10	5	¾	1¾	5.40	2	1¾	¾	3	1½	A-26141CY	2721 L34
12	6½	1½	1¾	7.00	2½	1¾	¾	3¾	2	A-26142CY	2722 L35
14-16	7½	1⅞	2	8.10	2½	2	1	3⅞	2½	A-26143CY	2723 L36
18	8½	1¾	2½	9.30	3	2½	1½	4¾	3	A-26144CY	2724 L37
20	9½	2	2¾	10.61	3	3	1¼	5¼	3¼	A-26145CY	2725 L38

MOUNTING BRACKET

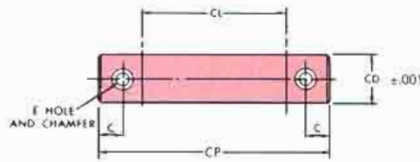


CYL. DIA.	E	F	M	R	CB	CD	CW	DD	FL	MR	TF	UF	(FORMER) PART NO.	(PRESENT) PART NO.
1½-2-2½	2½	¾	½	1.63	¾	½	½	¾	1½	¾	2¼	3½	A-8496CY	2683 L47
3¼-4-5	3½	¾	¾	2.55	1¼	¾	¾	½	1½	¾	3¼	4¼	A-8497CY	2684 L47
6-8	4½	¾	1	3.25	1½	1	¾	¾	2½	1¼	4½	5¼	A-26157CY	2685 L47
10	5	¾	1¾	3.82	2	1¾	1	¾	3	1½	5½	6¼	A-8499CY	2686 L47
12	6½	1½	1¾	4.95	2½	1¾	1¼	¾	3¾	2	7	8½	A-26158CY	2687 L47
14-16	7½	1⅞	2	5.73	2½	2	1¼	1	3⅞	2½	7½	9¼	A-26159CY	2688 L47
18	8½	1¾	2½	6.58	3	2½	1½	1½	4¾	3	8½	10½	A-26160CY	2689 L47
20	9½	2	2¾	7.50	3	3	1½	1¼	5¼	3¼	8¾	10¾	A-26161CY	2690 L47

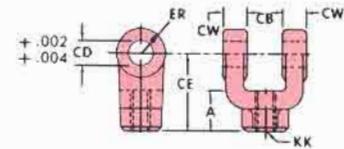
EYE (FEMALE)



PIVOT-PIN

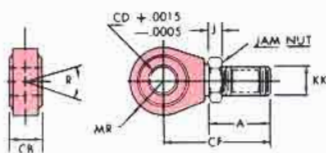


CLEVIS (FEMALE)



KK	A	CA	CB	CD	ER	(FORMER) PART NO.	(PRESENT) PART NO.	CYL. DIA.	C	E	CD	CP	CL	(FORMER) PART NO.	(PRESENT) PART NO.	KK	A	CB	CD	CE	CW	ER	(FORMER) PART NO.	(PRESENT) PART NO.
7/16-20	¾	1½	¾	½	¾	A-7060CY	1810 L59	1½-2-2½	¾	¾	½	2¾	1¾	A-7110CY-1	3222 L47-1	7/16-20	¾	¾	½	1½	½	½	A-15078CY	2834 L59
¾-16	1½	2⅞	1¼	¾	1⅞	A-7061CY	1812 L59	3¼-4-5	¾	¾	¾	3¾	2½	A-7110CY-2	3222 L47-2	¾-16	1½	1¼	¾	2¾	¾	¾	A-15079CY	2835 L59
1-14	1¾	2⅞	1½	1	1⅞	A-7062CY	1813 L59	6-8	¾	¾	1	3¾	3	A-7110CY-3	3222 L47-3	1-14	1¾	1½	1	3¾	¾	1	A-15080CY	2836 L59
1¼-12	2	3⅞	2	1¾	2	A-7063CY	1814 L59	10	¾	¾	1¾	4¾	4	A-7110CY-4	3222 L47-4	1¼-12	2	2	1¾	4¾	1	1¾	A-15081CY	2837 L59
1½-12	2½	4	2½	1¾	2⅞	A-7064CY	1815 L59	12	¾	¾	1¾	5⅞	5	A-7110CY-5	3222 L47-5	1½-12	2¼	2½	1¾	4¾	1¼	1¾	A-15082CY	2838 L59
1¾-12	3½	5	2½	2	2¼	A-7065CY	1817 L59	14	¾	¾	2	5⅞	5	A-7110CY-6	3222 L47-6	1¾-12	3	2½	2	5½	1¼	2	A-15083CY	2839 L59
2¼-12	3½	5⅞	3	2½	2¼	A-17196CY	1820 L59	16	¾	¾	2½	6¾	6	A-7110CY-8	3222 L47-8	2¼-12	3½	3	2½	6½	1½	2½	A-17197CY	2840 L59
2½-12	3½	6¾	3	3	3½	A-7066CY	1821 L59	18-20	¾	¾	3	6¾	6	A-7110CY-7	3222 L47-7	2½-12	3½	3	3	6¾	1½	2¾	A-15084CY	2841 L59
3¼-12	4½	7¾	4	3½	3¾	A-20453CY	1824 L59	ROD EYE & CLEVIS	¾	¾	3½	9¼	8	A-7110CY-9	3222 L47-9	3¼-12	4½	4	3½	8½	2	3½	A-19947CY	2842 L59

SPHERICAL ROD EYE



CYL. DIA.	A	J	R	CB	CD	CF	KK	MR	THRUST RATING (PROX.)	PART NO.
1½-2-2½	1½	¼	12°	¾	½	2⅞	7/16-20	1⅞	5,500#	2825 L48-1
1½-2-2½	1⅞	¼	12°	¾	½	1⅞	7/16-20	1⅞	5,500#	2825 L48-2
3¼-4-5	1¾	7/16	13½°	¾	¾	2⅞	¾-16	7/16	10,000#	2825 L48-3
6-8	2⅞	9/16	14°	1¾	1	4⅞	1-14	1⅞	12,000#	2825 L48-4
8"	2⅞	9/16	14°	1¾	1	4⅞	1-14	1⅞	19,000#	2825 L48-5

* For 8" Cyl. Diameter — Hydraulics Only.

BLIND END ONLY