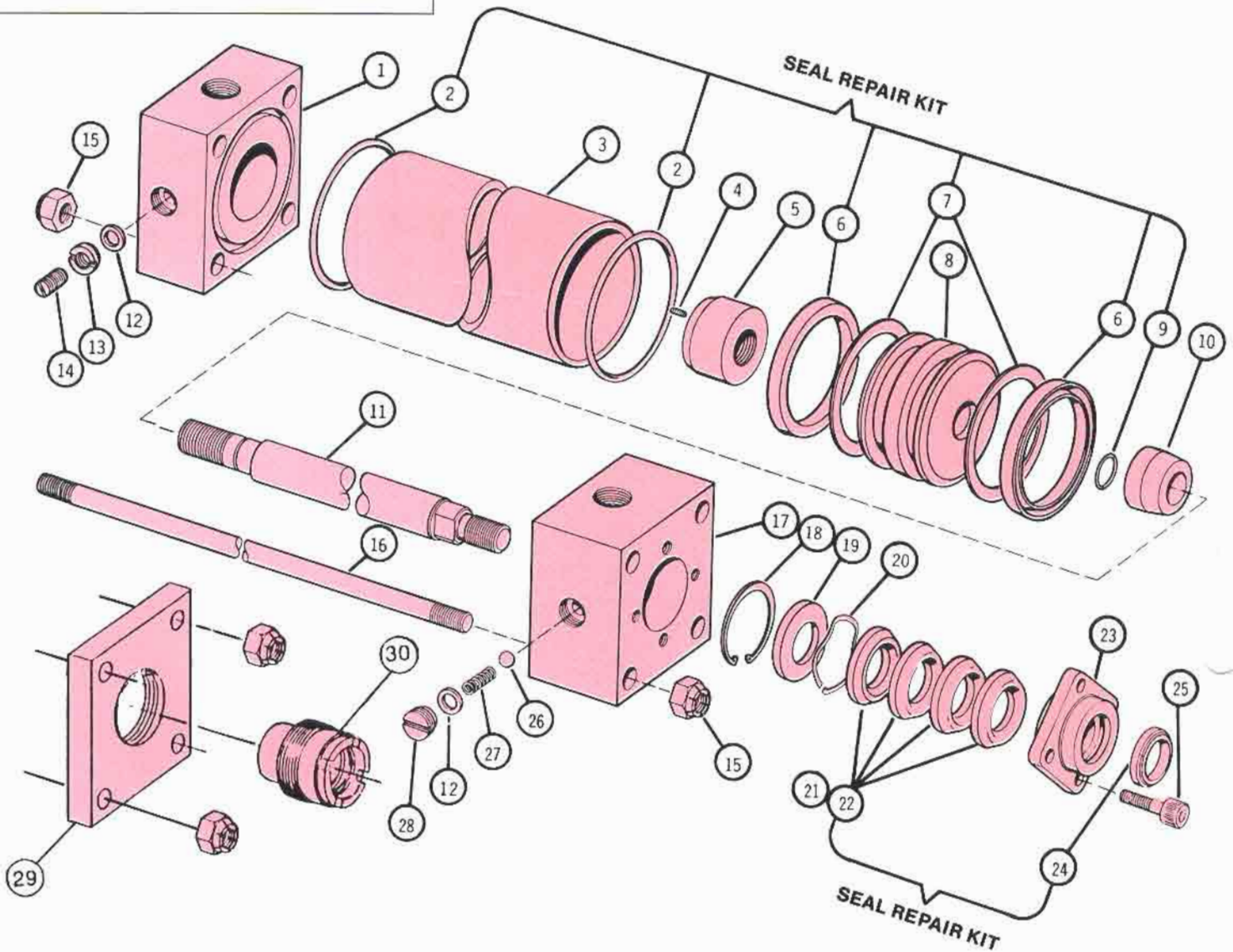


**IMPROVED CUSHION ADJUSTMENT —**  
 Newly designed needle valve is interchangeable with current design and offers improved sealing characteristics.



## REPLACEMENT PARTS



- |                              |                                   |                             |
|------------------------------|-----------------------------------|-----------------------------|
| 1. Blind end head            | 12. Seal                          | 23. Packing gland           |
| 2. Tube seal★                | 13. Cushion adjusting screw gland | 24. Rod wiper★              |
| 3. Tube                      | 14. Cushion adjusting screw       | 25. Packing gland cap screw |
| 4. Lock screw                | 15. Tie rod nut                   | 26. Check ball              |
| 5. Lock sleeve ▲             | 16. Tie rod                       | 27. Ball check spring       |
| 6. U-cup★                    | 17. Rod end head                  | 28. Ball check plug         |
| 7. Back-up ring★             | 18. Snap ring                     |                             |
| 8. Piston                    | 19. Packing spacer                |                             |
| 9. Piston O-ring★            | 20. Wave spring★                  |                             |
| 10. Cushion sleeve – rod end | 21. Bottom adapter ring★☆         |                             |
| 11. Piston rod               | 22. Rod packing★                  |                             |
|                              |                                   | IF APPLICABLE:              |
|                              |                                   | 29. Head Plate              |
|                              |                                   | 30. Screw Gland             |

★ Items are included in seal repair kits.  
 See page 5 for ordering information.  
 ☆ Item 21 is metallic for high temp. applications.  
 Note: Head and Screw Gland Option  
 Available in all Models except DG (ME-3)  
 ▲ Use lock nut or threaded piston on 1.50"-8.00"  
 bore with or without cushion, or cushion nose.

**When ordering replacement parts be sure to specify:**

- Part by name and item number
  - Bore, stroke and mounting
  - Serial number shown on Nopak label
- NOTE: Isometric view of DOUBLE ROD cylinders available at N/C.  
 Consult factory or our authorized distributor.